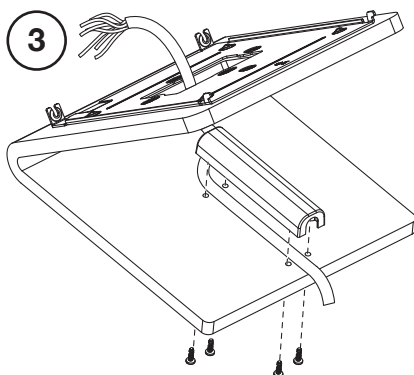
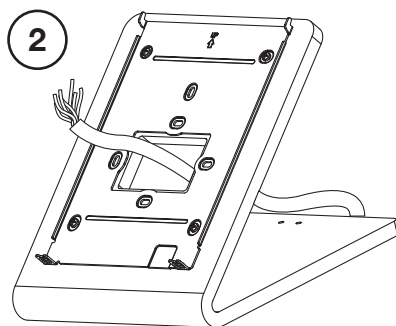
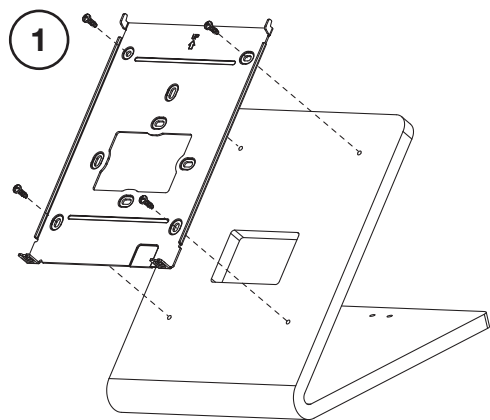
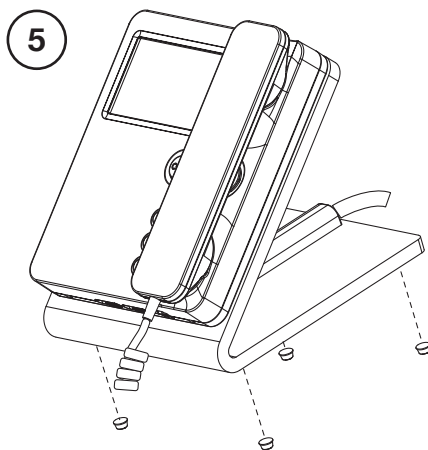
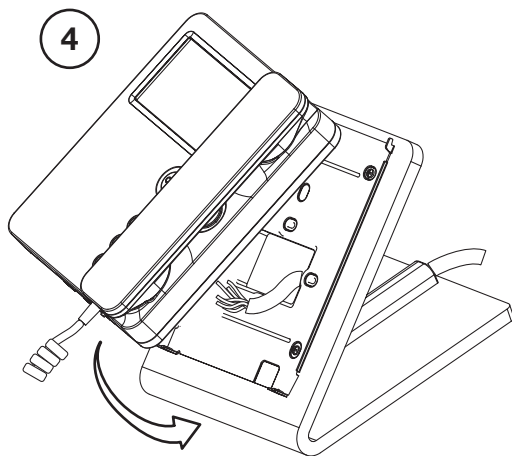


**SUPPORTO DA TAVOLO PER VIDEOCITOFONO Mod. 1750**  
**TABLE TOP STAND FOR 1750 VIDEO DOOR PHONE TABLE**  
**SUPPORT DE TABLE POUR VIDEOPHONE Mod.1750**  
**APOYO DE SOBREMESA PARA VIDEOINTERFONO Mod. 1750**  
**TISCHAUFLAGE FÜR VIDEOANLAGE Mod.1750**

**Sch./Ref. 1750/92**





**DS 1750-005A**

URMET S.p.A.  
10154 TORINO (ITALY)  
VIA BOLOGNA 188/C  
Telef. +39 011.24.00.000 (RIC. AUT.)  
Fax +39 011.24.00.300 - 323

**urmet**

**LBT 8977**

Area tecnica  
servizio clienti +39 011.23.39.810  
<http://www.urmet.com>  
e-mail: [info@urmet.com](mailto:info@urmet.com)